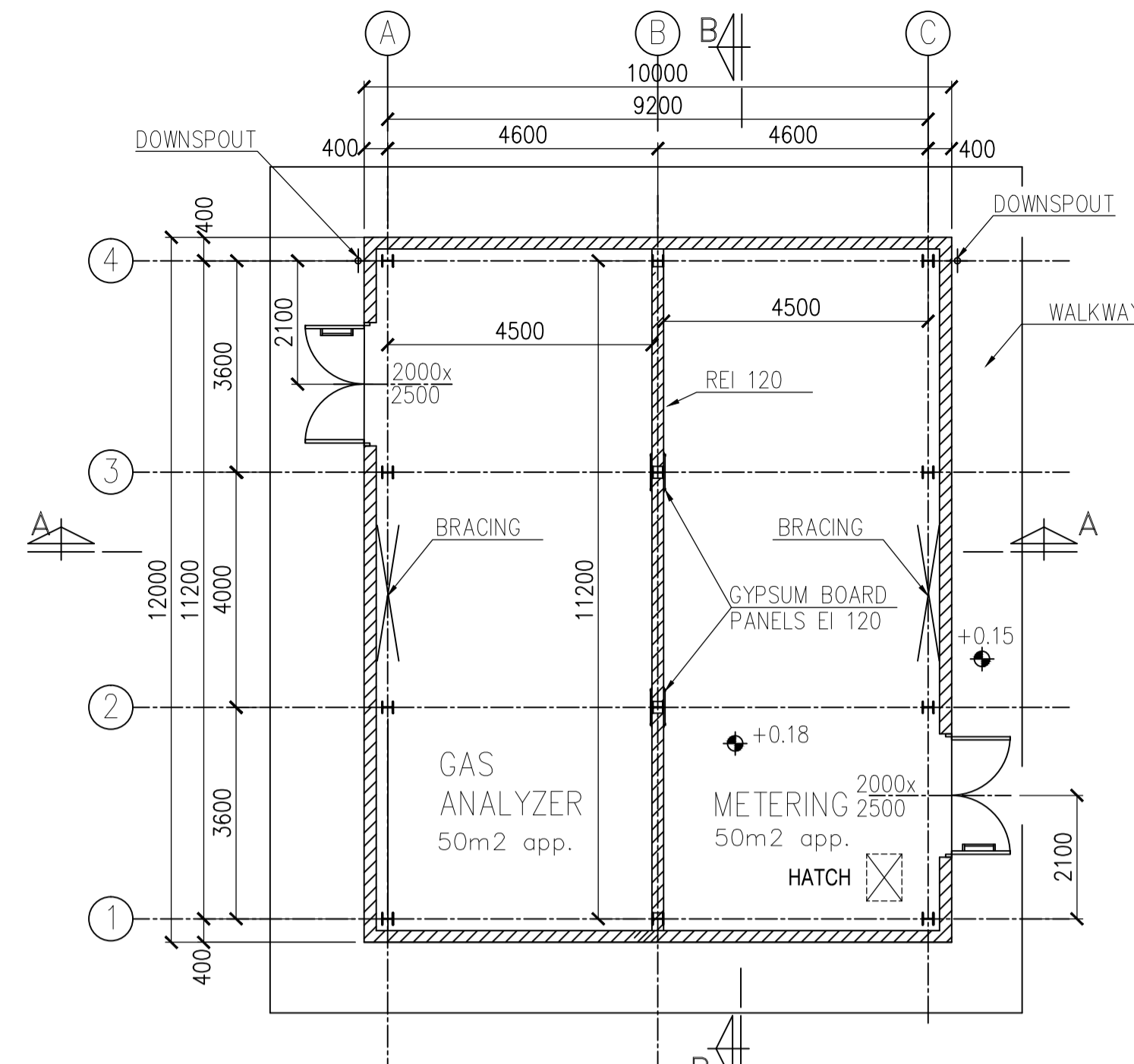
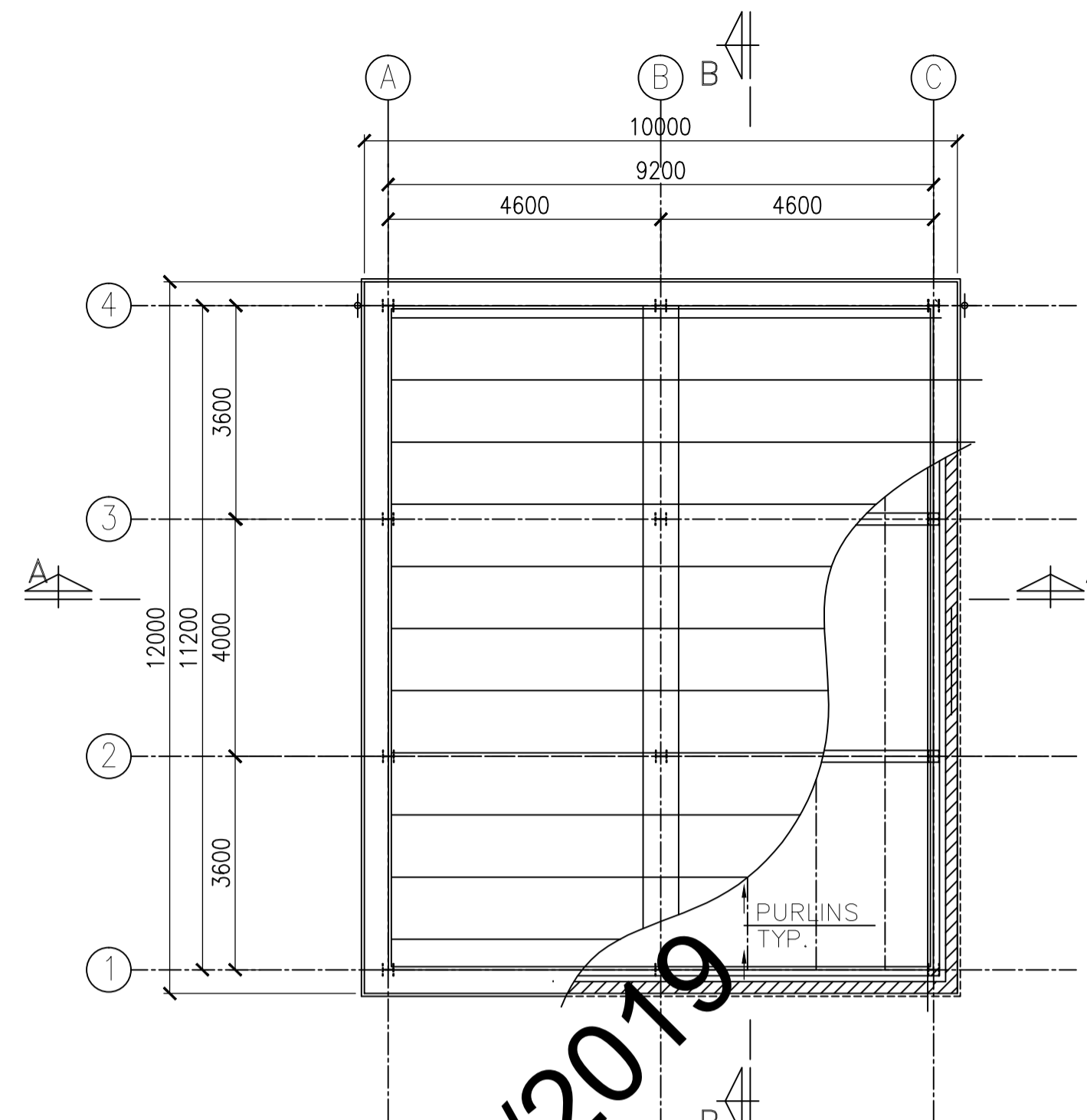


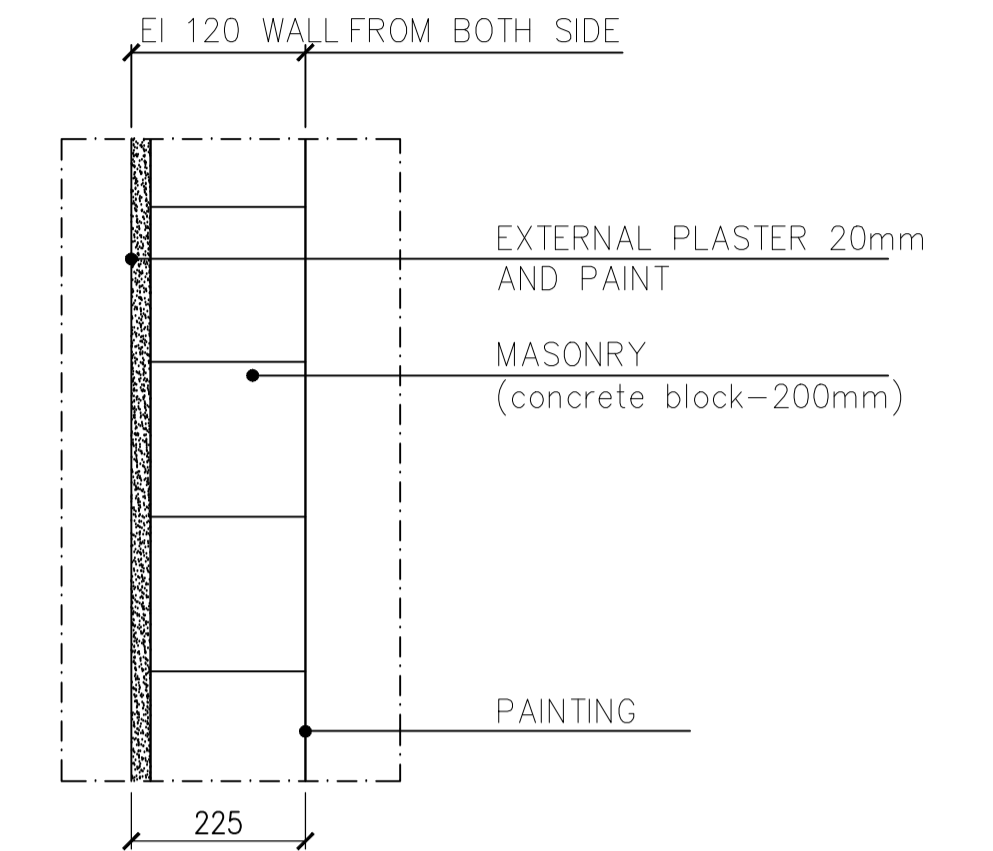
CAVITY PLAN
SCALE 1:100



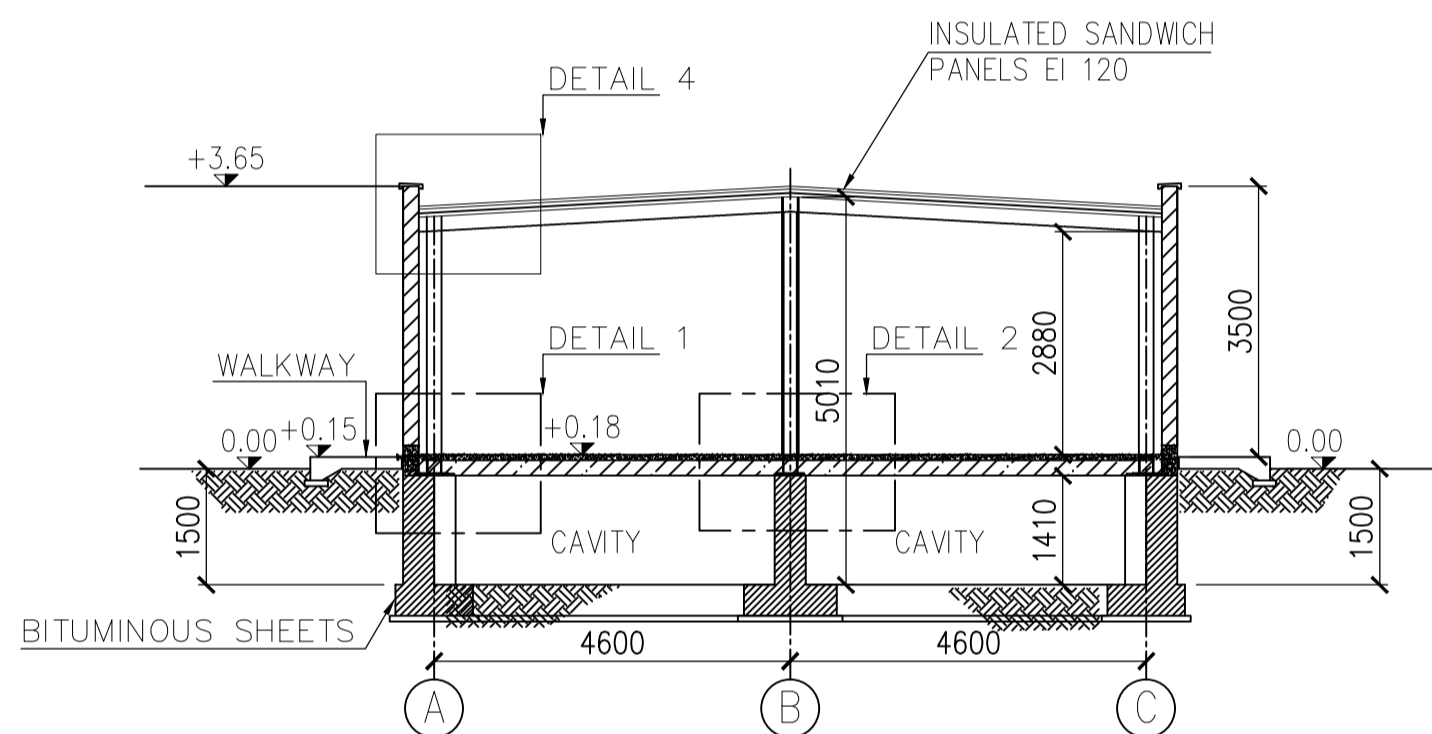
GROUND FLOOR PLAN
SCALE 1:100



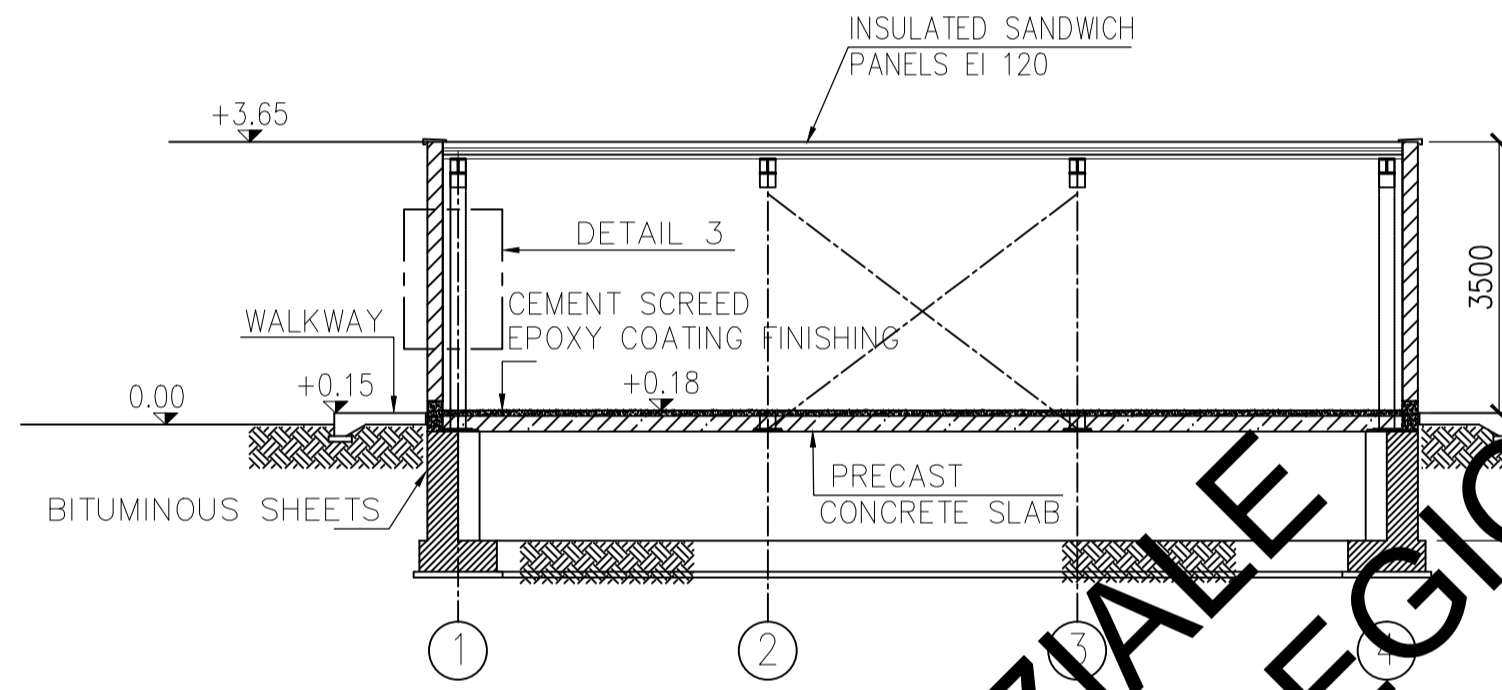
ROOF PLAN
SCALE 1:100



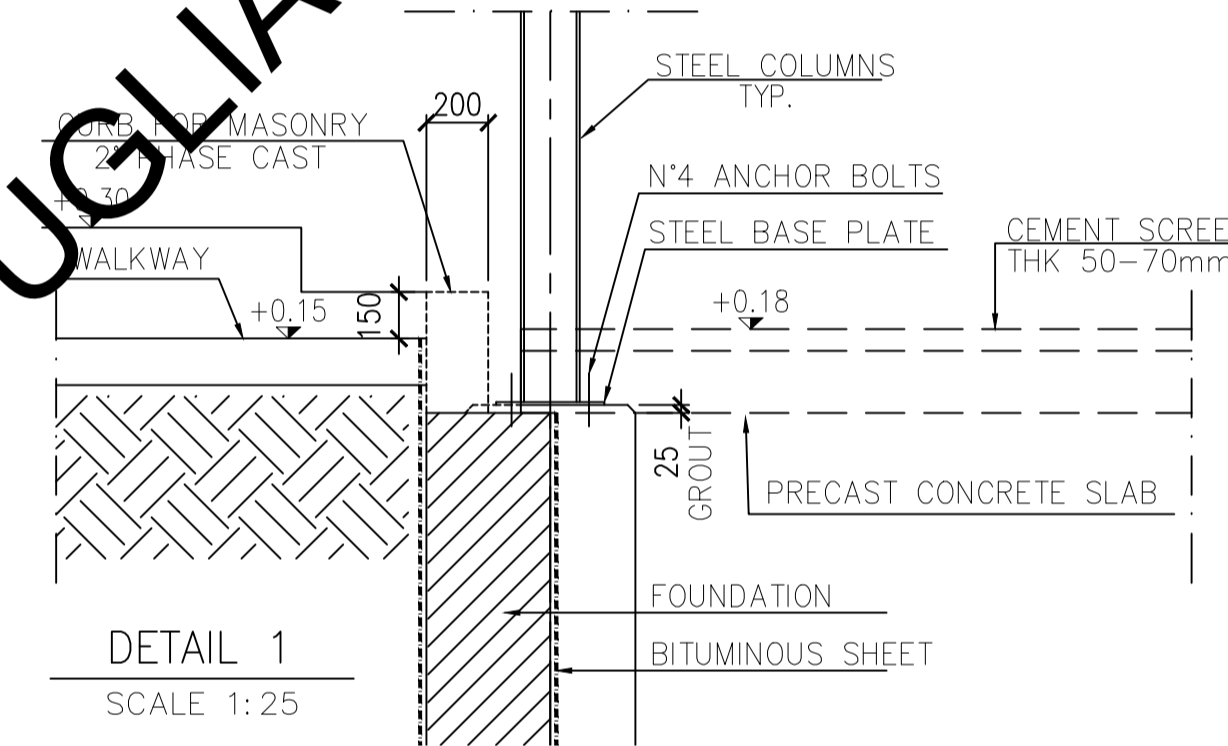
DETAIL 3
TYPICAL



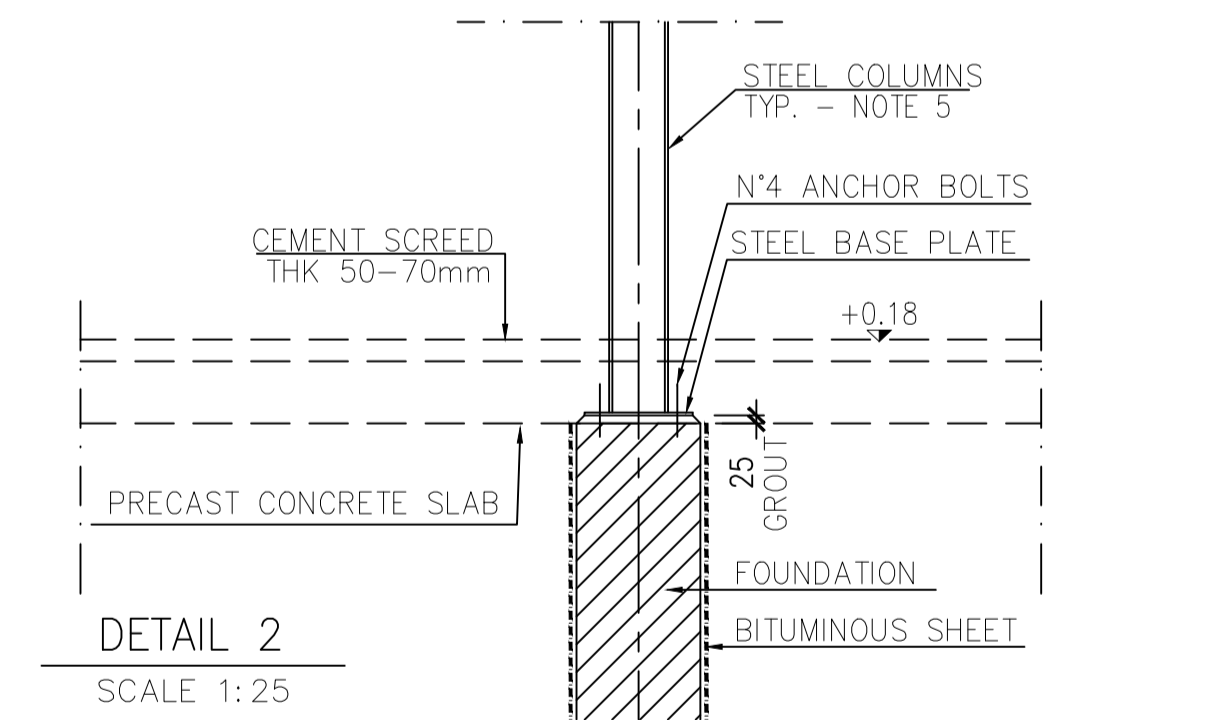
SECTION A-A
SCALE 1:100



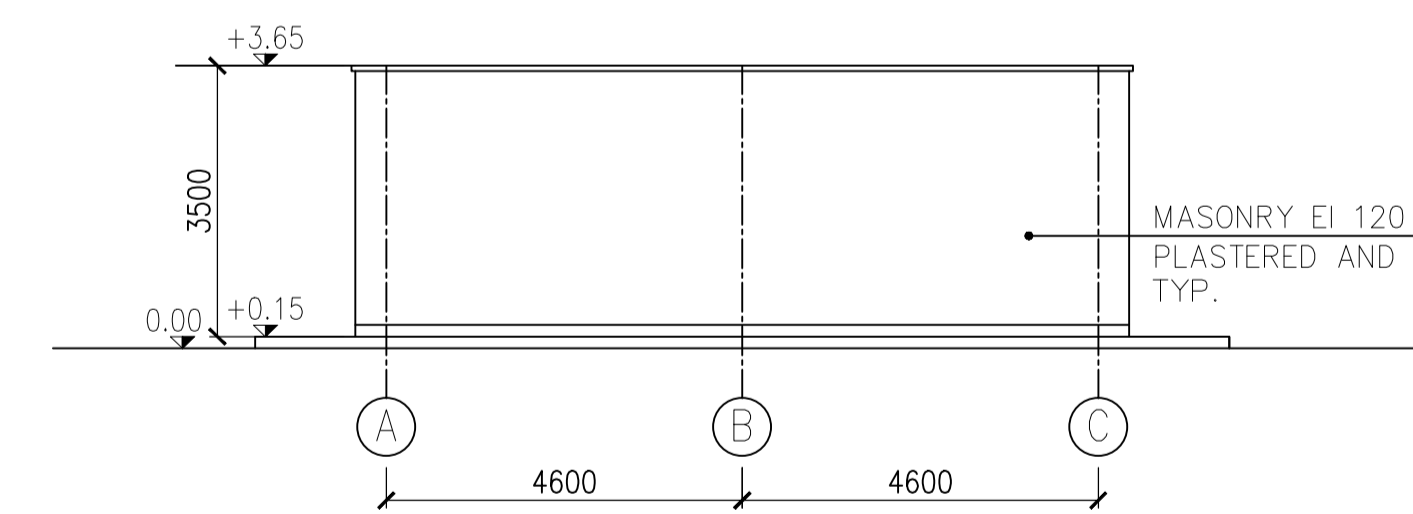
SECTION B-B
SCALE 1:100



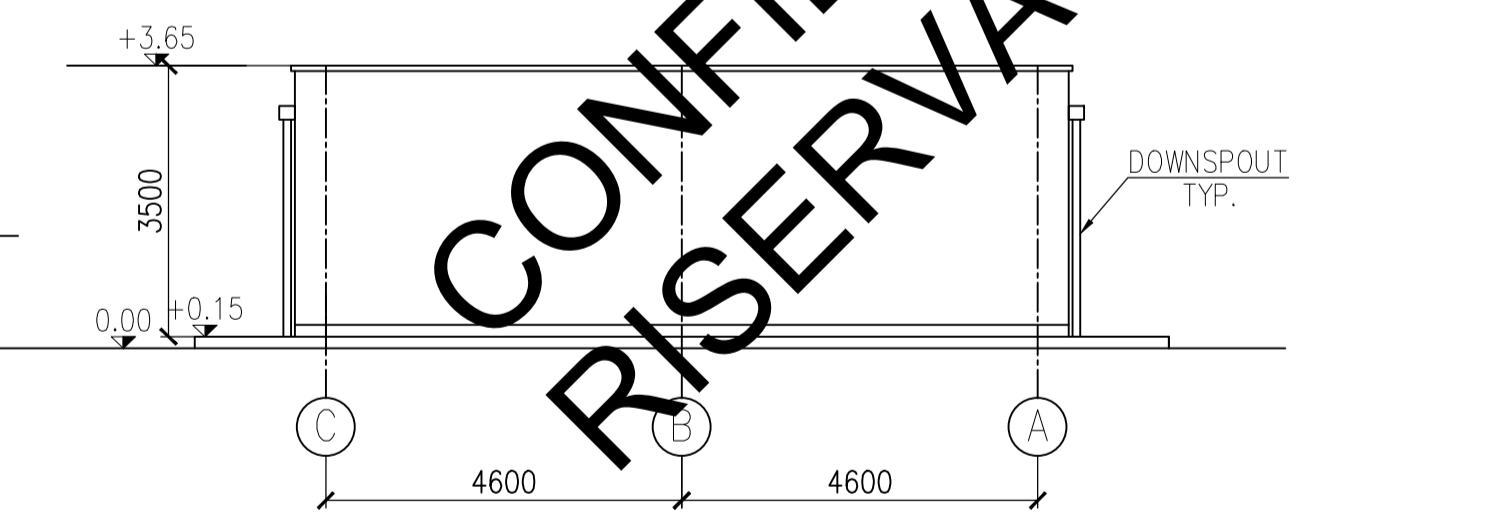
DETAIL 1
SCALE 1:25



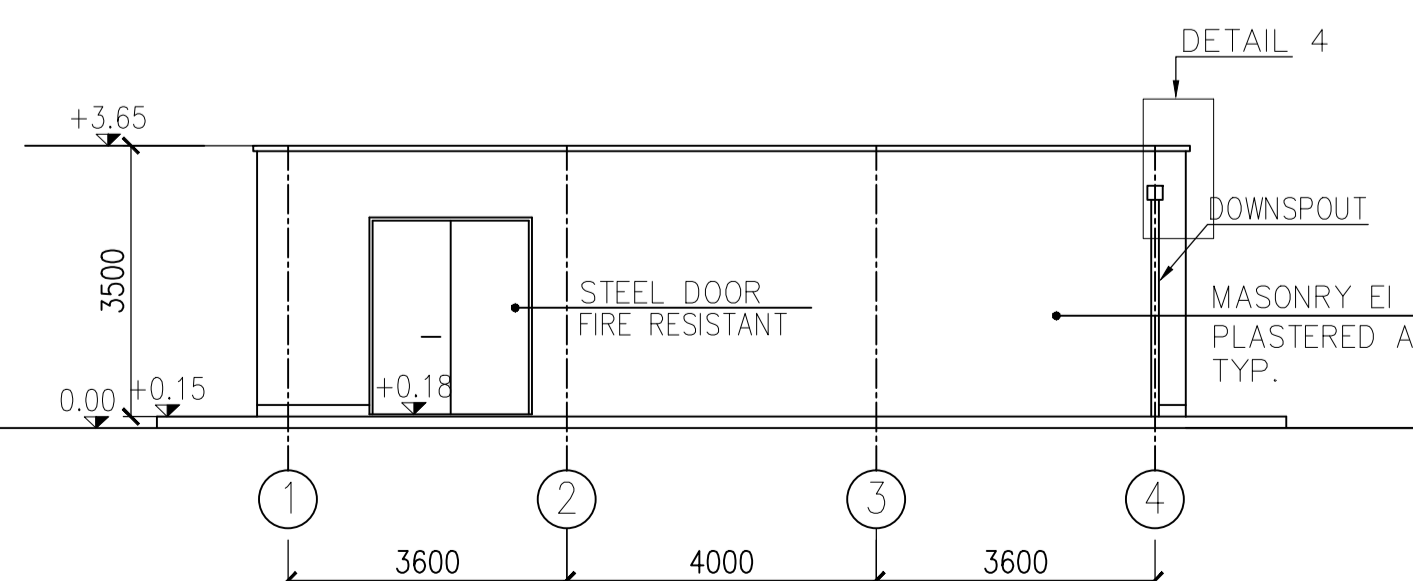
DETAIL 2
SCALE 1:25



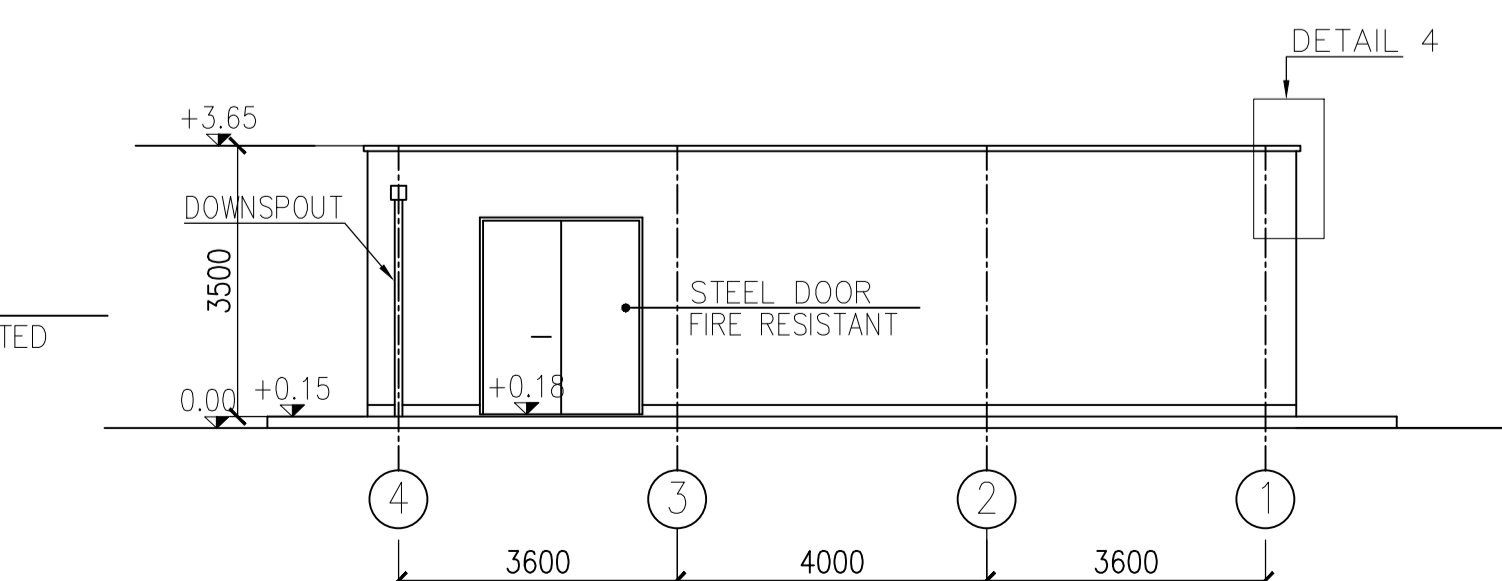
SOUTH VIEW
SCALE 1:100



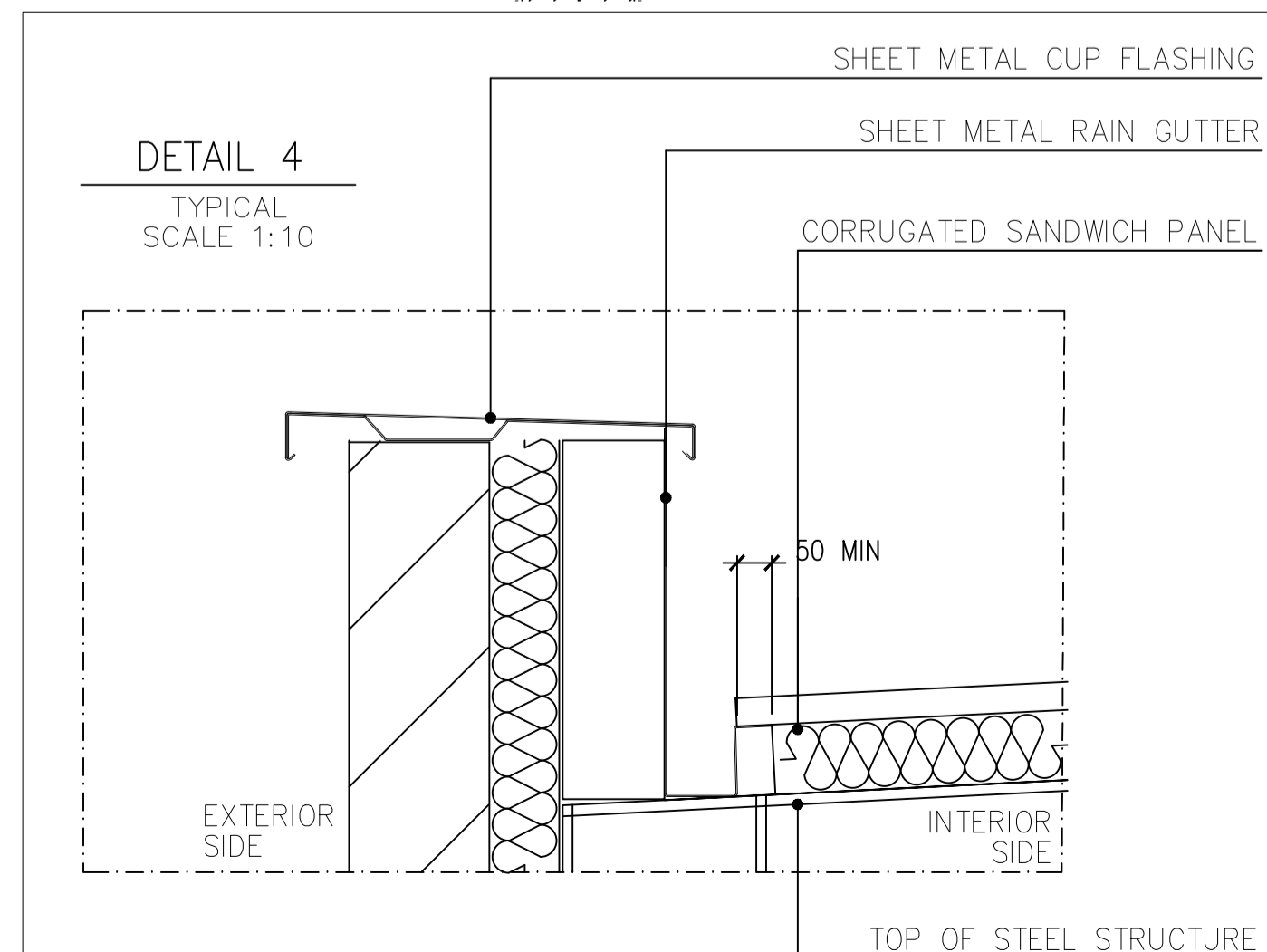
NORTH VIEW
SCALE 1:100



EAST VIEW
SCALE 1:100



WEST VIEW
SCALE 1:100



DETAIL 4
TYPICAL
SCALE 1:10

LEGEND

- CONCRETE
- MASONRY WALL
- INSULATION

NOTES:

- 1) ELEVATION ±0.00 IS REFERRED TO EL. +100000 (HIGH POINT OF PAVING - HPP) WHICH CORRESPOND TO EL. +23.00m ABOVE SEA LEVEL.
- 2) DIMENSIONS ARE IN MILLIMETERS, ELEVATIONS IN METERS.
- 3) QUANTITY AND DIAMETER OF ANCHOR BOLTS ARE IN HOLD.
- 4) WALLS AND ROOF SHALL BE 120 MINUTES FIRE RESISTANT (EI 120)
- 5) MAIN STRUCTURE SHALL BE 120 MINUTES FIRE RESISTANT (R 120)

3																	
2																	
1	FUS	SECOND ISSUE		08/03/2019	CARRIERI	CITTERIO	CITTERIO										
0	FAC	FIRST ISSUE		22/01/2019	CARRIERI	CITTERIO	CITTERIO										
REV.	STATO	DESCRIZIONE	DATA	ELABORATO	VERIFICATO	APPROVATO											
Rev.	Status	Description	Date	Prepared	Checked	Approved											

COMMITENTE/Client

edison
EDF GROUP

IGI Poseidon

IMPianto/Plant
**POSEIDON PIPELINE PROJECT
COMPRESSION AND METERING STATIONS**

TITOLO DOCUMENTO/Document Title
**OTRANTO BUILDINGS ARCHITECTURAL DRAWINGS
(PLAN - ELEVATIONS - SECTIONS)
GAS ANALYZER BUILDING**

COORDINATA DOC. / Doc. Code
N° **P404FEKIC60.1**

SCALA/Scale
1:100/50

FOLIO/Sheet
3/4

SOSTITUISCE IL
Il supersede

SOSTITUITO DAL
Superseded by

Tutti i diritti derivanti dal presente documento sono di proprietà e riservati ad Edison S.p.A. Lo stesso non potrà essere utilizzato per la realizzazione dell'oggetto rappresentato né essere riprodotto o soggetto a terzi in assenza di un'autorizzazione scritta. All rights arising out of the present document are owned and reserved to Edison S.p.A. It cannot be used for the construction of the object represented nor reproduced or communicated to third parties without a prior written authorization.

CONFIDENZIALE
RISERVATO REGIONE PUGLIA 3/5/2019