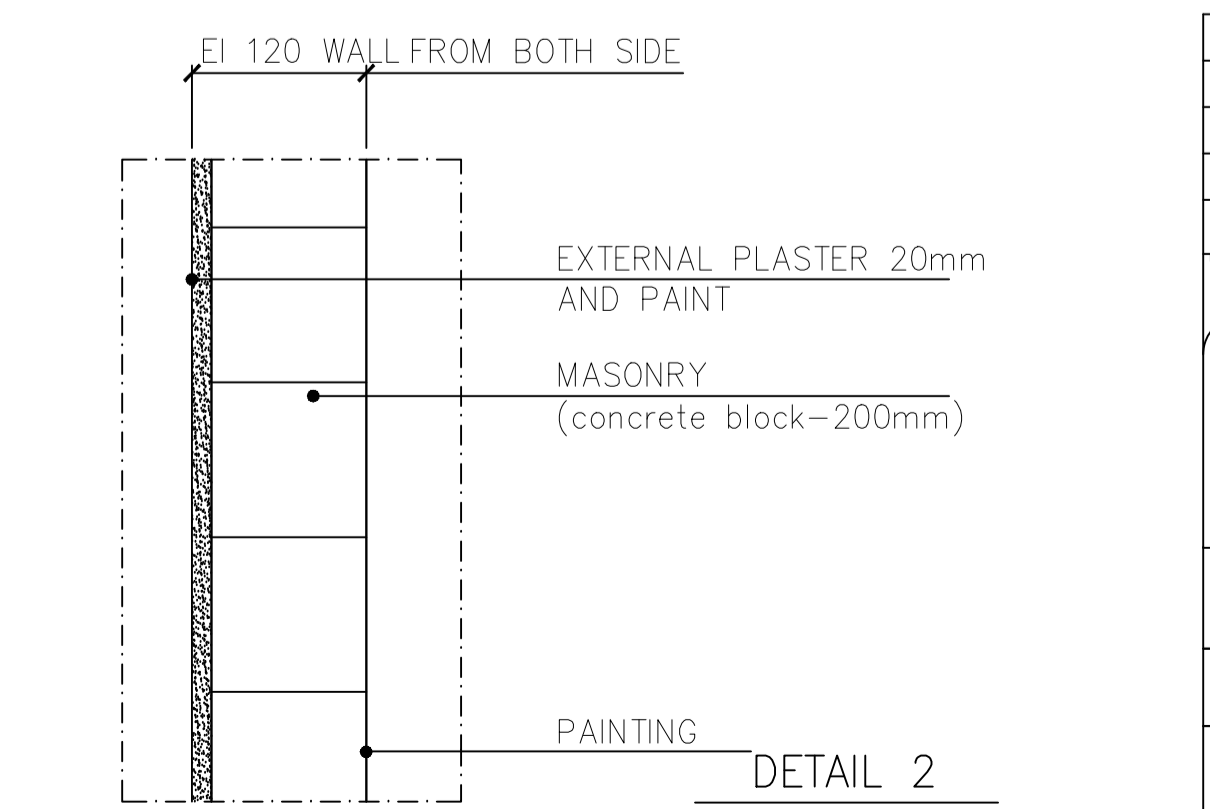
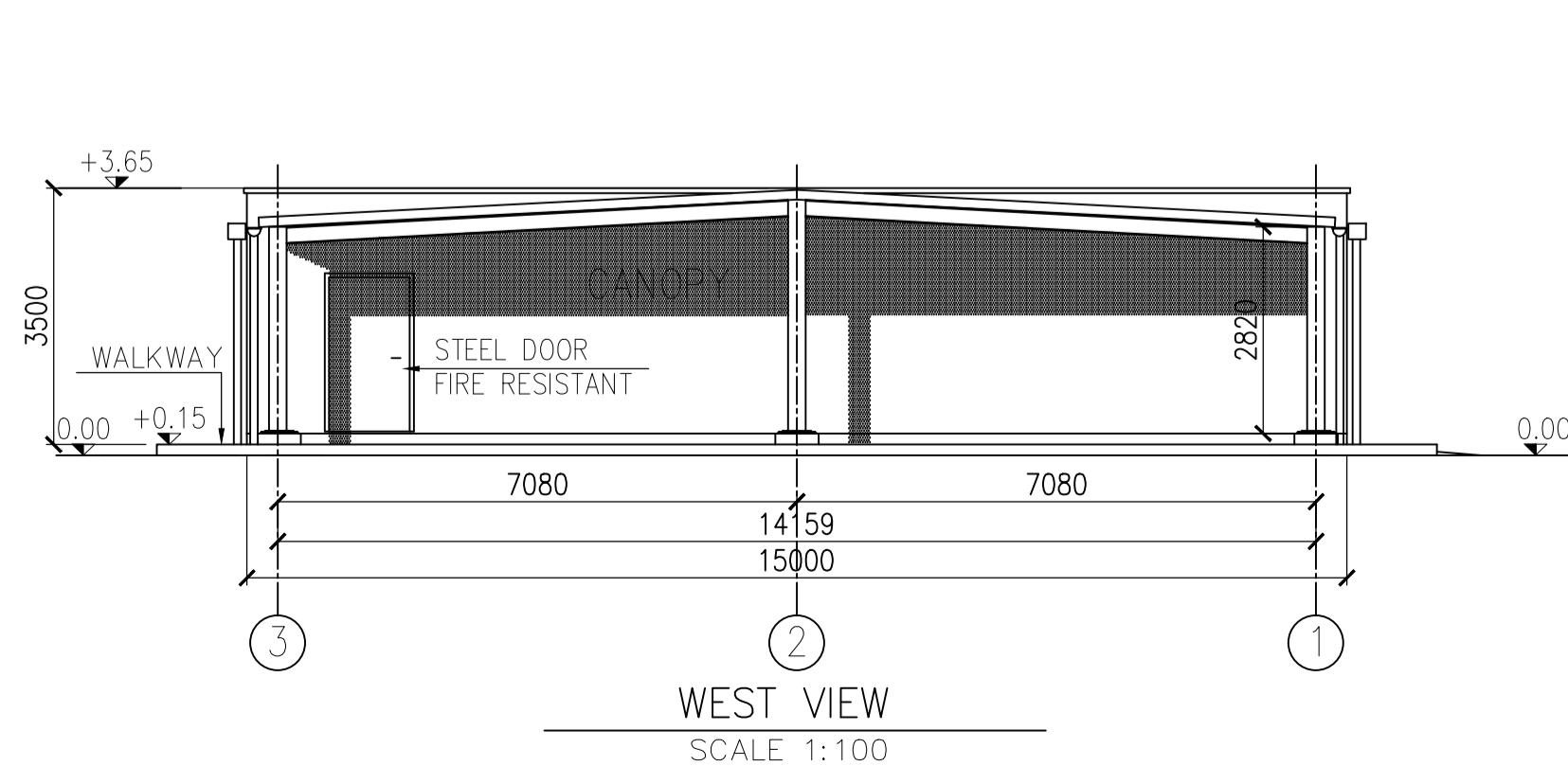
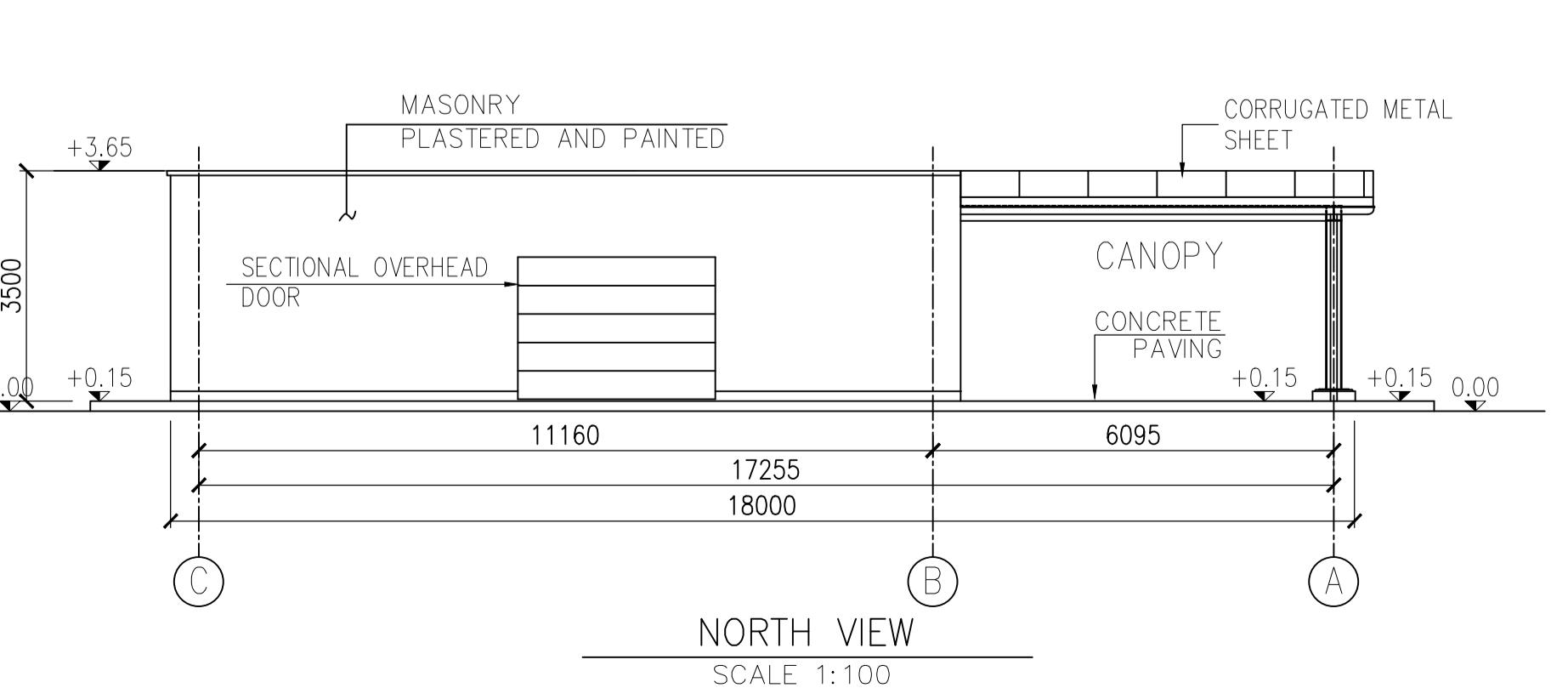
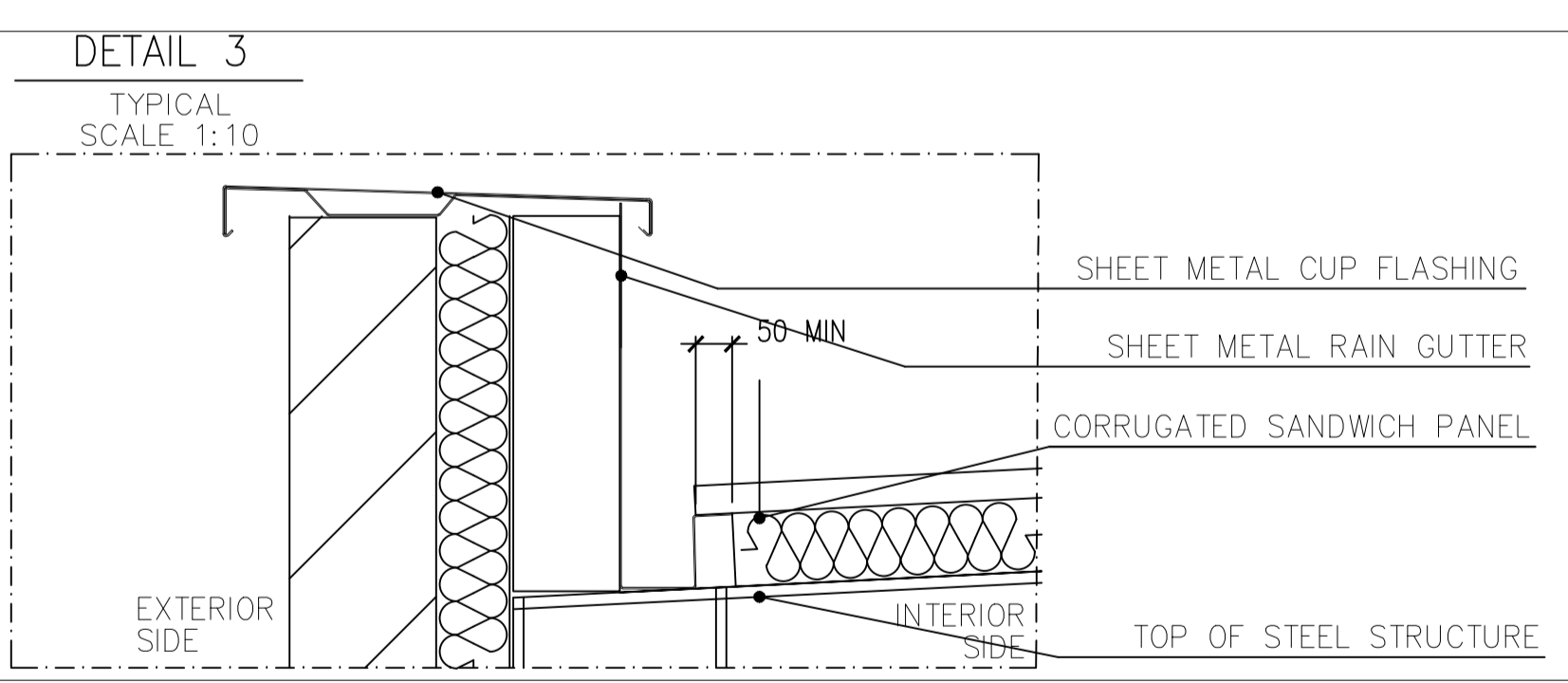
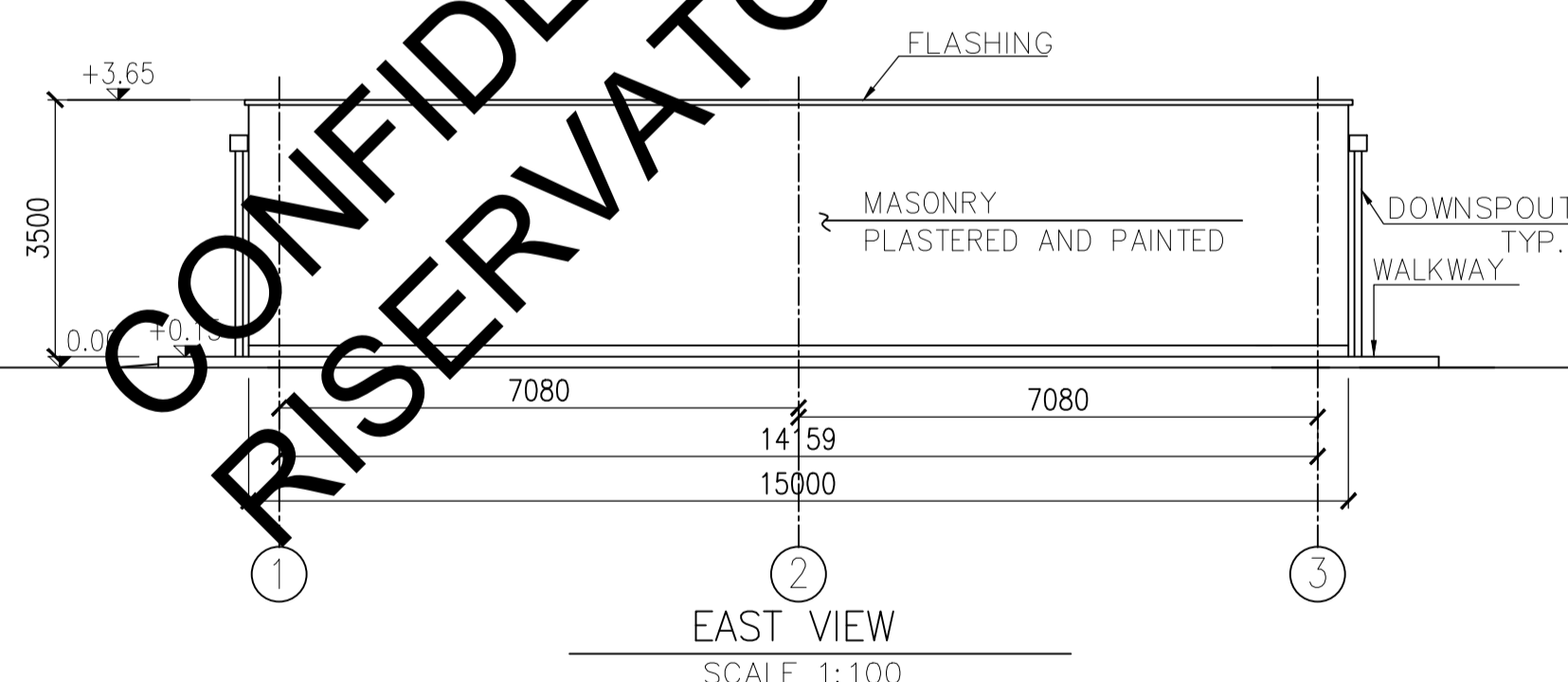
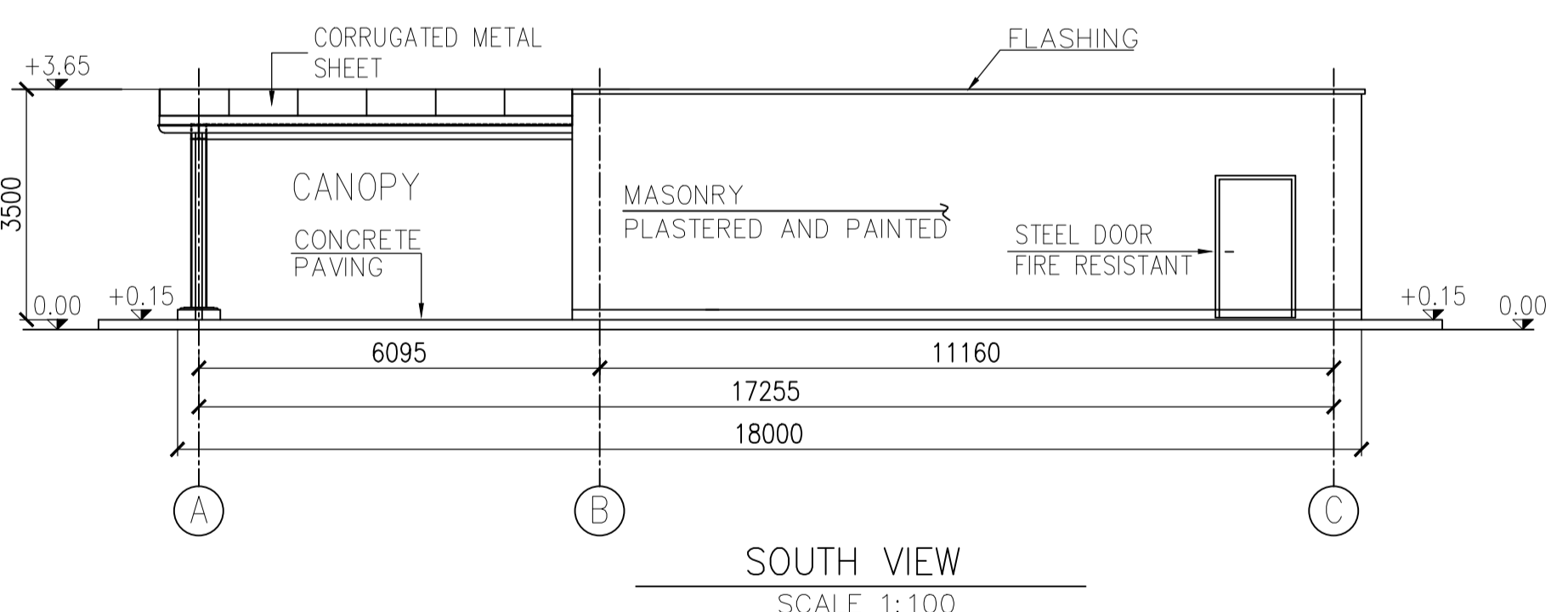


- LEGEND**
- CONCRETE
 - MASONRY WALL
 - INSULATION
- NOTES:**
- ELEVATION ±0.00 IS REFERRED TO EL. +100000 (HIGH POINT OF PAVING - HPP) WHICH CORRESPOND TO EL. +23.00m ABOVE SEA LEVEL.
 - DIMENSIONS ARE IN MILLIMETERS, ELEVATIONS IN METERS.
 - QUANTITY AND DIAMETER OF ANCHOR BOLTS ARE IN HOLD.
 - WALLS AND ROOF SHALL BE 120 MINUTES FIRE RESISTANT (EI 120)
 - MAIN STRUCTURE SHALL BE 120 MINUTES FIRE RESISTANT (R 120)



| REV. | STATO | DESCRIZIONE | DATA | ELABORATO | VERIFICATO | APPROVATO |
|------|--------|--------------|------------|-----------|------------|-----------|
| Rev. | Status | Description | Date | Prepared | Checked | Approved |
| 1 | FUS | SECOND ISSUE | 08/03/2019 | CARRIERI | CITTERIO | CITTERIO |
| 0 | FAC | FIRST ISSUE | 22/01/2019 | CARRIERI | CITTERIO | CITTERIO |

| | | | | | | | | | | | | | | | | |
|--|--|--|--|--|--|--|--|--|--|--|--|--|--|--|--|--|
| COMMITTENTE/Client | | | | | | | | | | | | | | | | |
| | | | | | | | | | | | | | | | | |
| CODIFICA DOC. / Doc. Code N° P404FEK0601 | | | | | | | | | | | | | | | | |
| IMPIANTO/Plant POSEIDON PIPELINE PROJECT COMPRESSION AND METERING STATIONS | | | | | | | | | | | | | | | | |
| TITOLO DOCUMENTO/Document Title OTRANTO BUILDINGS ARCHITECTURAL DRAWINGS (PLAN - ELEVATIONS - SECTIONS) INSTRUMENT AIR BUILDING | | | | | | | | | | | | | | | | |
| <small>Tutti i diritti derivati dal presente documento sono di proprietà e riservati ad Edison S.p.A. Lo stesso non potrà essere utilizzato per la realizzazione dell'oggetto rappresentato né essere riprodotto o appoggiato in nessun caso di un'ulteriore scrittura. All rights arising out of the present document are owned and reserved to Edison S.p.A. It cannot be used for the construction of the object represented nor reproduced or communicated to third parties without a prior written authorization.</small> | | | | | | | | | | | | | | | | |